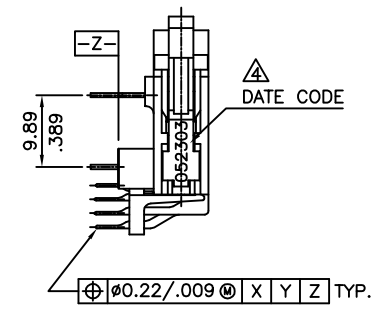
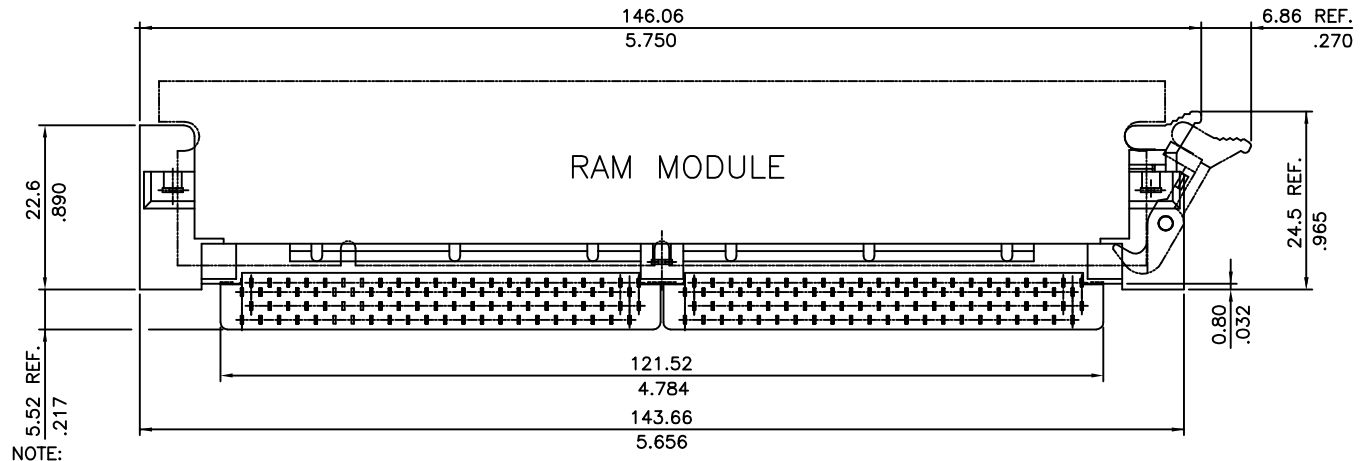
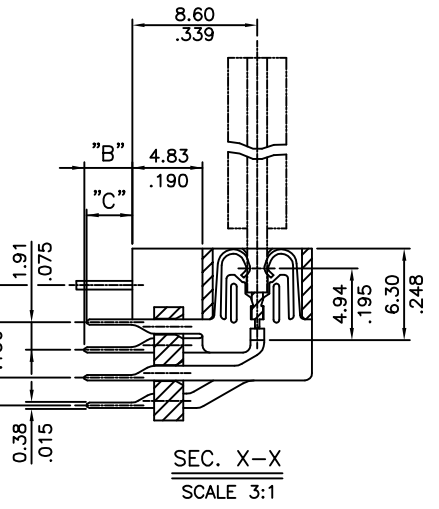
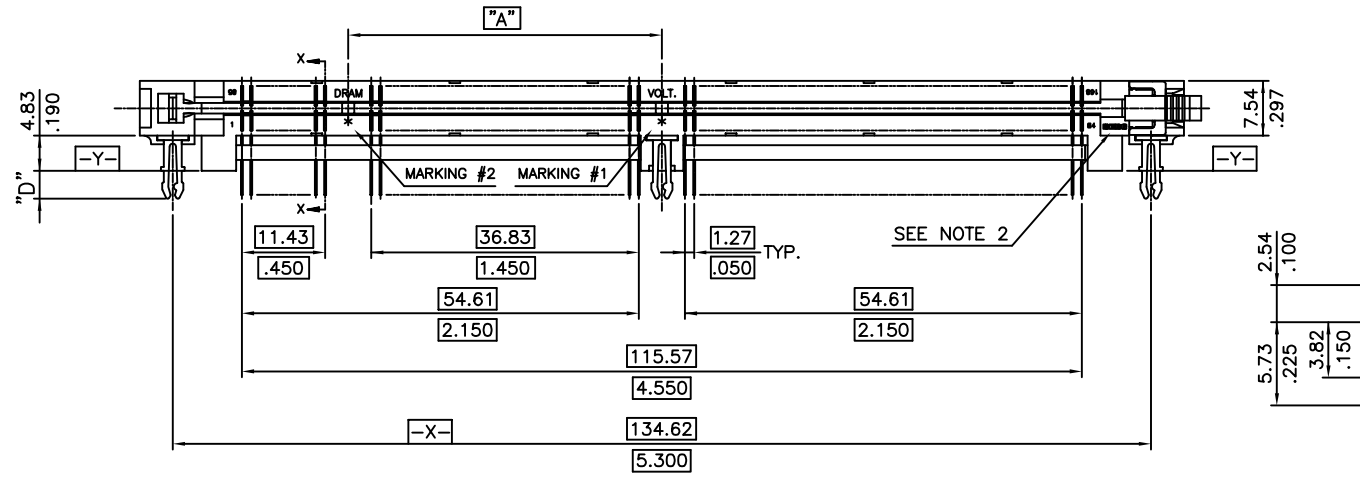


All rights strictly reserved. Reproduction or issue to third parties in any form whatever is not permitted without written authority from the proprietor. Property of FCI. Copyright FCI.

Tous droits strictement reserves. Reproduction ou communication a des tiers interdite sous quelque forme que ce soit sans autorisation ecrite du propriétaire. Propriete de c FCI. Droits de reproduction FCI.

FCI



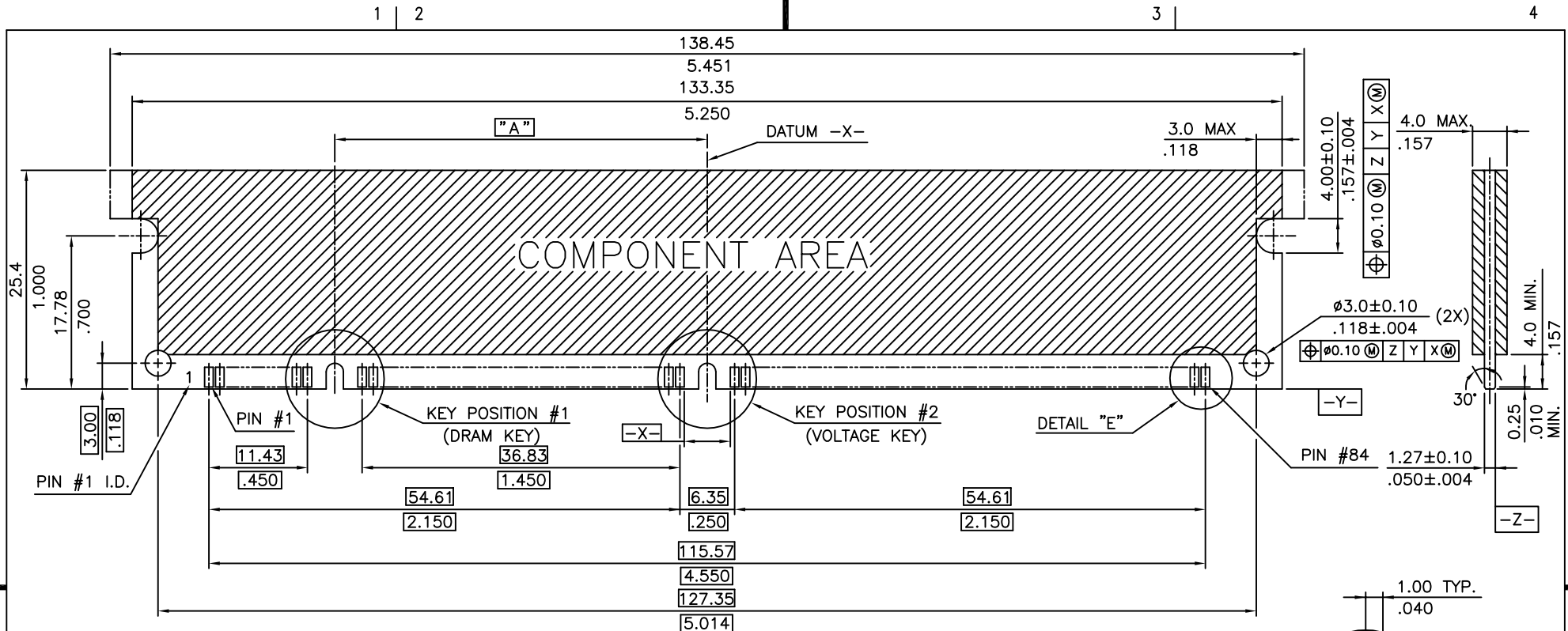
- NOTE:
- MATERIAL:
HOUSING: LIQUID CRYSTAL POLYMER OR OTHER HIGH PERFORMANCE RESINS, GLASS FILLED UL94V-0 RATED, COLOR BLACK.
EJECTOR: LIQUID CRYSTAL POLYMER OR OTHER HIGH PERFORMANCE RESINS, GLASS FILLED UL94V-0 RATED, COLOR NATURAL.
TAIL GUIDE: LIQUID CRYSTAL POLYMER OR OTHER HIGH PERFORMANCE RESINS, GLASS FILLED UL94V-0 RATED, COLOR BLACK.
TERMINAL: PHOSPHOR BRONZE.
METAL CLIP: PHOSPHOR BRONZE.
 - BERG LOGO TO BE APPROXIMATELY LOCATED AS SHOWN ON PRINT.
 - PRODUCT SPECIFICATION: GS-12-066.
 - THE DATE CODE IS SHOWN "MM-DD-YY".
 - THIS PRODUCT MEETS EUROPEAN UNION DIRECTIVES AND OTHER COUNTRY REGULATIONS AS DESCRIBED IN GS-22-008.
 - THE HOUSING WILL WITH STAND EXPOSURE TO 260° PEAK TEMPERATURE FOR 10 SECONDS IN A WAVE SOLDER APPLICATION.

CONFIDENTIAL

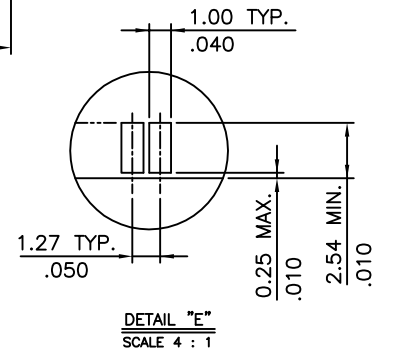
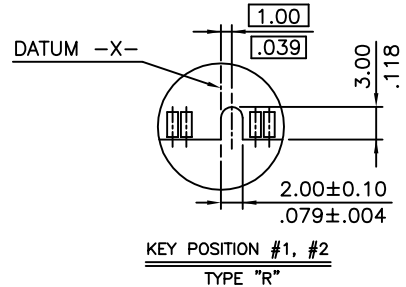
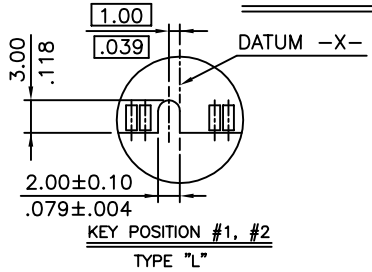
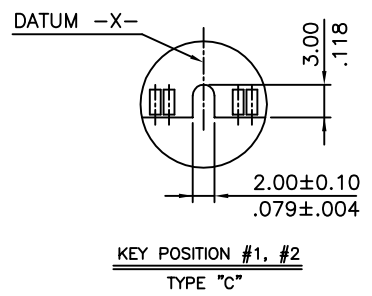
mat'l. code				tolerances unless otherwise specified		CUSTOMER COPY	FCI <small>www.fciconnect.com</small>		
ltr	ecn no	dr	date	linear	.X ±0.38/.015		projection	title DIMM, .050" 1-ROW, 168P R/A ASS'Y METAL CLIP	
J	T10056	M W	02/27/01		.XX ±0.25/.010				
K	T03-0194	M W	05/23/03	angles	.XXX ±0.13/.005	MM	product family DIMM code - size dwg no		
L	T04-0078	M W	02/23/04		0° ±2'				
M	T04-0119	M W	03/11/04	dr	CATHY LIN 11/21/94	scale	A4 95566 sheet 1 of 4		
N	T04-0145	M W	04/08/04	enrg	CATHY LIN 11/21/94				
P	T05-0274	R C	12/07/05	chr	WAYNE YU 11/21/94	1:1			
R	pg05-0529	K W	12/15/05	appd	JENN TSAO 11/21/94				
sheet index	revision sheet	R	K	K	R				
		1	2	3	4				

Tous droits strictement réservés. Reproduction ou communication a des tiers interdite sous quelque forme que ce soit sans autorisation écrite du propriétaire. Propriété de c FCI. Droits de reproduction FCI.

All rights strictly reserved. Reproduction or issue to third parties in any form whatever is not permitted without written authority from the proprietor. Property of FCI. Copyright FCI.



RECOMMENDED MODULE LAYOUT



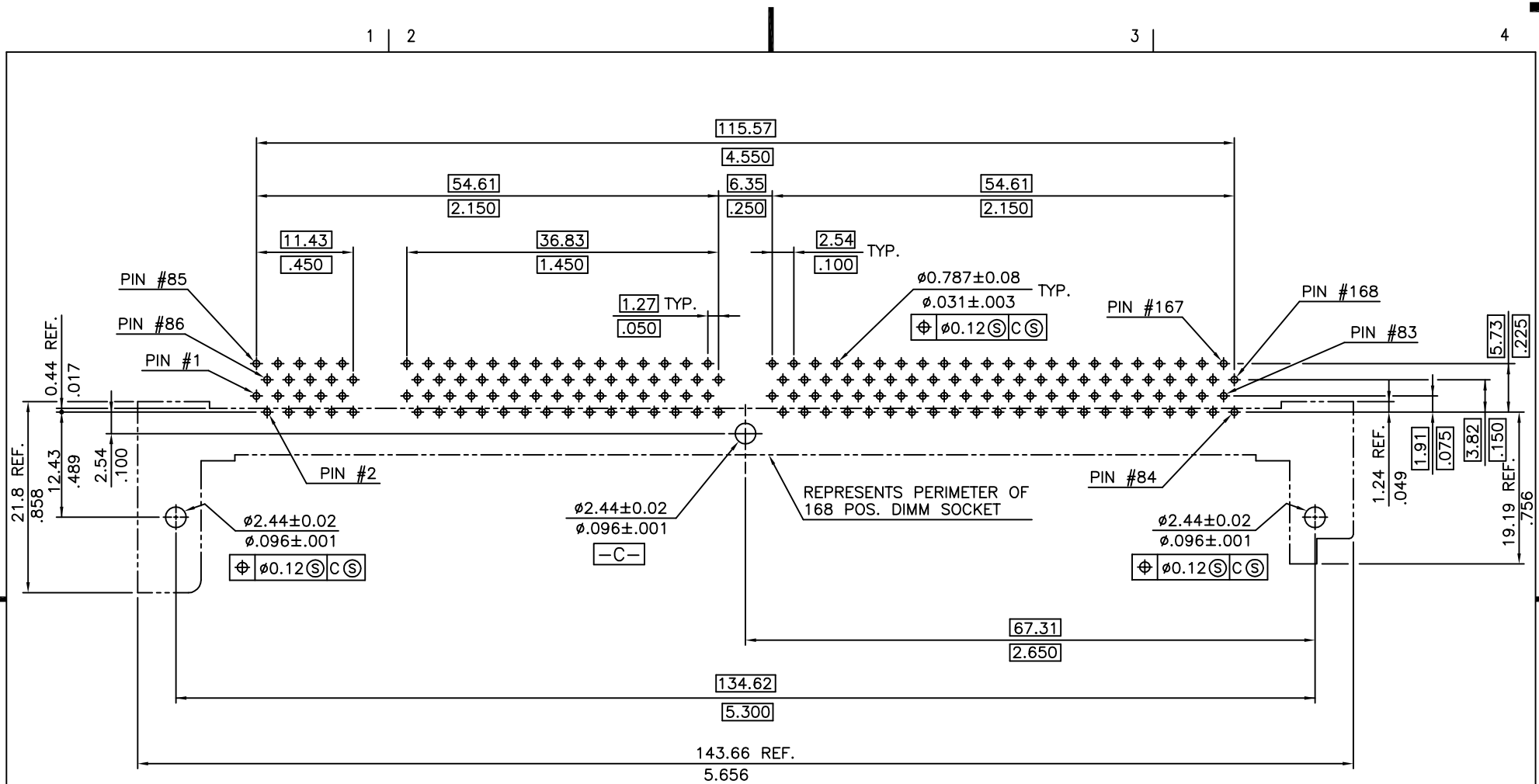
KEY POS. #1	KEY POS. #2	DIM. "A"	DESCRIPTION
TYPE "R"	TYPE "C"	42.18 1.661	FOR UNBUFFERED DRAM, SYNC DRAM, REGISTERED SDRAM, 3.3 VOLT.
TYPE "L"	TYPE "C"	44.18 1.739	FOR OPEN, 3.3 VOLT.
TYPE "C"	TYPE "C"	43.18 1.700	FOR STANDARD DRAM, BUFFERED, 3.3 VOLT.
TYPE "R"	TYPE "L"	41.18 1.621	FOR NON-STANDARD DRAM, 5.0 VOLT.
TYPE "L"	TYPE "L"	43.18 1.700	FOR SYNC DRAM, 5.0 VOLT.
TYPE "C"	TYPE "L"	42.18 1.661	FOR STANDARD DRAM, 5.0 VOLT.

mat'l. code				tolerances unless otherwise specified		CUSTOMER COPY	 www.fciconnect.com
ltr	ecn no	dr	date	linear	.X ±0.38/.015		
K				angles	.XX ±0.25/.010		title
				dr	.XXX ±0.13/.005	MM	DIMM, .050" 1-ROW, 168P
				enr	0' ±2'	scale	R/A ASS'Y METAL CLIP
				chr		1.5:1	product family DIMM
				appd		A4	code -
sheet index	revision sheet						size dwg no 95566
							sheet 2 of

CONFIDENTIAL


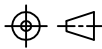
Tous droits strictement réservés. Reproduction ou communication a des tiers interdite sous quelque forme que ce soit sans autorisation écrite du propriétaire. Propriété de c FCI. Droits de reproduction FCI.

All rights strictly reserved. Reproduction or issue to third parties in any form whatever is not permitted without written authority from the proprietor. Property of FCI. Copyright FCI.



RECOMMENDED CIRCUIT BOARD HOLE LAYOUT

CONFIDENTIAL

mat'l. code				tolerances unless otherwise specified			CUSTOMER COPY		 www.fciconnect.com		
ltr	ecn no	dr	date	linear	.X ±0.38/.015		projection	title			
K					.XX ±0.25/.010			DIMM, .050" 1-ROW, 168P			
					.XXX ±0.13/.005			R/A ASS'Y METAL CLIP			
				angles	0° ±2'		 MM	product family		code	
		dr	CATHY LIN	11/21/94	DIMM			size		dwg no	sheet
		enr	CATHY LIN	11/21/94	DIMM			scale		95566	3 of
		chr	WAYNE YU	11/21/94	DIMM			A4			
		appd	JENN TSAO	11/21/94	DIMM			1.5:1			
sheet index	revision sheet								cage code		

All rights strictly reserved. Reproduction or issue to third parties in any form whatever is not permitted without written authority from the proprietor. Property of FCI. Copyright FCI.

Tous droits strictement reserves. Reproduction ou communication a des tiers interdite sous quelque forme que ce soit sans autorisation ecrite du propriétaire. Propriete de c FCI. Droits de reproduction FCI.

95566 - □ □ □ □

STYLE

- 1 : FOR STANDARD DRAM, 5.0 VOLT.
- 2 : FOR SYNC DRAM, 5.0 VOLT.
- 3 : FOR NON-STANDARD DRAM, 5.0 VOLT.
- 4 : FOR STANDARD DRAM, BUFFERED, 3.3 VOLT.
- 5 : FOR OPEN, 3.3 VOLT.
- 6 : FOR UNBUFFERED DRAM, SYNC DRAM, REGISTERED SDRAM, 3.3 VOLT.

PEG TYPE

- 0 : WITH METAL CLIP + DIM."D"=3.45/.136.
- 1 : WITH METAL CLIP + DIM."D"=3.85/.152.

PLATING

CODE	CONTACT	SOLDERTAIL	UNDERPLATE
1	150μ"(3.81μm) MIN. TIN/LEAD	100μ"(2.54μm) MIN. TIN/LEAD	50μ" (1.27μm) MIN. NICKEL OVERALL
2	15μ"(0.38μm) MIN. GOLD		
3	30μ"(0.76μm) MIN. GOLD		
4	3μ"(0.076μm) MIN. GOLD		
5	15μ"(0.38μm) MIN. GXT		
6	30μ"(0.76μm) MIN. GXT		
7	60μ"(1.52μm) MIN. GXT		
1LF	150μ"(3.81μm) MIN. 100% TIN	100μ"(2.54μm) MIN. 100% Tin	50μ" (1.27μm) MIN. NICKEL OVERALL
2LF	15μ"(0.38μm) MIN. GOLD		
3LF	30μ"(0.76μm) MIN. GOLD		
4LF	3μ"(0.076μm) MIN. GOLD		
5LF	15μ"(0.38μm) MIN. GXT		
6LF	30μ"(0.76μm) MIN. GXT		
7LF	60μ"(1.52μm) MIN. GXT		

TAIL LENGTH

CODE	DIM. "B"	DIM. "C"
0	2.54 .100	2.39 .094
1	3.30 .130	3.15 .124

95566-6010*	42.18 1.661	3.30	3.15	3.45 .136	BLACK	IVORY	BLACK	FOR UNBUFFERED DRAM, SYNC DRAM, REGISTERED SDRAM, 3.3 VOLT.	NONE	3.3
95566-6112*		.130	.124	3.85	IVORY	IVORY	IVORY			
95566-6111*				.152	IVORY	BLACK	IVORY			
95566-6110*				BLACK	IVORY	BLACK				
95566-6002*	44.18 1.739	2.54	2.39	3.45	IVORY	IVORY	IVORY	FOR OPEN, 3.3 VOLT.	NO MARKING	3.3
95566-6001*		.100	.094	.136	IVORY	BLACK	IVORY			
95566-6000*					BLACK	IVORY	BLACK			
95566-5111*	43.18 1.700	3.30	3.15	3.85	IVORY	BLACK	IVORY	FOR STANDARD DRAM, BUFFERED, 3.3 VOLT.	STD	3.3
95566-5110*		.130	.124	.152	BLACK	IVORY	BLACK			
95566-4001*		2.54	2.39	3.45	IVORY	BLACK	IVORY			
95566-4000*				BLACK	IVORY	BLACK				
95566-3111*	41.18 1.621	3.30	3.15	3.85	IVORY	BLACK	IVORY	FOR NON-STANDARD DRAM, 5 VOLT.	NONE	5.0
95566-3110*		.130	.124	.152	BLACK	IVORY	BLACK			
95566-3001*		2.54	2.39	3.45	IVORY	BLACK	IVORY			
95566-3000*				BLACK	IVORY	BLACK				
95566-2111*	43.18 1.700	3.30	3.15	3.85	IVORY	BLACK	IVORY	FOR SYNC DRAM, 5 VOLT.	SYNC	5.0
95566-2110*		.130	.124	.152	BLACK	IVORY	BLACK			
95566-2001*		2.54	2.39	3.45	IVORY	BLACK	IVORY			
95566-2000*				BLACK	IVORY	BLACK				
95566-1111*	42.18 1.661	3.30	3.15	3.85	IVORY	BLACK	IVORY	FOR STANDARD DRAM, 5 VOLT.	STD	5.0
95566-1110*		.130	.124	.152	BLACK	IVORY	BLACK			
95566-1001*		2.54	2.39	3.45	IVORY	BLACK	IVORY			
95566-1000*				BLACK	IVORY	BLACK				
PROD. NO.	DIM."A"	DIM."B"	DIM."C"	DIM."D"	HOUSING COLOR	EJECTOR COLOR	TAIL GUIDE COLOR	STYLE	STYLE MARKING #2	STYLE MARKING #1

COLOR OF HOUSING AND EJECTOR

- 0 : BLACK HOUSING + IVORY EJECTOR + BLACK TAIL GUIDE
- 1 : IVORY HOUSING + BLACK EJECTOR + IVORY TAIL GUIDE
- 2 : IVORY HOUSING + IVORY EJECTOR + IVORY TAIL GUIDE

CONFIDENTIAL

mat'l. code				tolerances unless otherwise specified				CUSTOMER COPY		 www.fciconnect.com	
ltr	ecn no	dr	date	linear	.X ±0.38/.015	projection	title	DIMM, .050" 1-ROW, 168P			
R					.XX ±0.25/.010	angles	R/A ASS'Y METAL CLIP	product family DIMM			
					.XXX ±0.13/.005	dr	CATHY LIN 11/21/94	size	dwg no		
						enr	CATHY LIN 11/21/94	scale	1:1		
						chr	WAYNE YU 11/21/94	A4	95566		
						appd	JENN TSAO 11/21/94	sheet	4 of		
sheet index	revision sheet										